




**SPECIFICATION SHEET**

<b>SPECIFICATION SHEET NO.</b>	N0310-SMASS56000S506
<b>DATE</b>	Mar. 10, 2021
<b>REVISION</b>	A0
<b>DESCRIPTION</b>	SMD Schottky Barrier Rectifier, 2 Pads, SMA series, SS56 Type Reverse Voltage 60V Max. Forward Current 5.0A Max. Operating Temp. Range -50°C ~+150°C Package in Tape/Reel, 2000pcs/Reel RoHS/RoHS III compliant
<b>CUSTOMER</b>	
<b>CUSTOMER PART NUMBER</b>	
<b>CROSS REF. PART NUMBER</b>	
<b>ORIGINAL PART NUMBER</b>	MDD SS56
<b>PART CODE</b>	SMASS56000S506

<b>VENDOR APPROVE</b>			
Issued/Checked/Approved			
DATE: March 10, 2021			

<b>CUSTOMER APPROVE</b>	
DATE:	

## SMD SCHOTTKY BARRIER RECTIFIER SMA SERIES



### MAIN FEATURE

- The plastic package carries Underwriters Laboratory Flammability Classification 94V-0
- Low power loss and high efficiency
- Built-in strain relief,
- High forward surge current capability
- Metal silicon junction, majority carrier conduction
- High temperature soldering guaranteed: 250°C/ 10 seconds at terminals

### APPLICATION

- For surface mounted applications

**RFQ**

[Request For Quotation](#)

### PART CODE GUIDE

SMA	SS56000	S	506
1	2	3	4

- 1) **SMA**: SMD Schottky Barrier Rectifier, 2 Pads, Package SMA series
- 2) **SS56000**: Type code for original part number SS56
- 3) **S**: Package code, Tape/reel, 2000pcs/reel.
- 4) **506**: Specification code for Reverse Voltage 60V Max. Forward Current 5.0A Max.

### MORE ITEMS AVAILABLE

SMASS12000S102	SMASS13000S103	SMASS14000S104	SMASS15000S105	SMASS16000S106
SMASS18000S108	SMASS11000S110	SMASS11500S115	SMASS12000S120	
SMASS22000S202	SMASS23000S203	SMASS24000S204	SMASS25000S205	SMASS26000S206
SMASS28000S208	SMASS21000S210	SMASS21500S215	SMASS22000S220	
SMASS32000S302	SMASS33000S303	SMASS34000S304	SMASS35000S305	SMASS36000S306
SMASS38000S308	SMASS31000S310	SMASS31500S315	SMASS32000S320	
SMASS52000S502	SMASS53000S503	SMASS54000S504	SMASS55000S505	<b>SMASS56000S506</b>
SMASS58000S508	SMASS51000S510	SMASS51500S515	SMASS52000S520	

**SMD SCHOTTKY BARRIER RECTIFIER SMA SERIES**

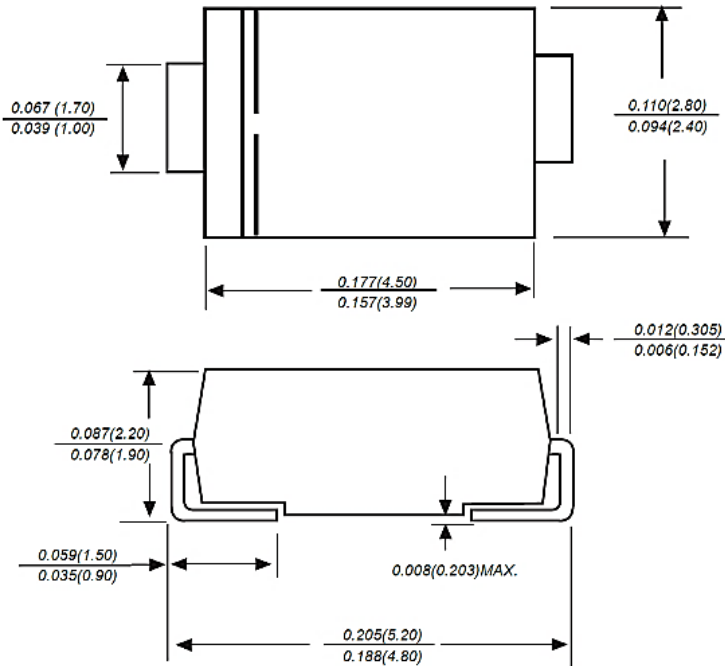
**DIMENSION (Unit: Inch/mm)**

Image for reference

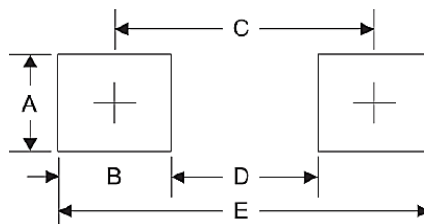


Marking: SS56

SMA/DO-214AC



Recommend Pad Layout



Symbol	Unit (Inch)	Unit (mm)
A	0.066	1.680
B	0.060	1.520
C	0.154	3.900
D	0.095	2.410
E	0.215	5.450

## SMD SCHOTTKY BARRIER RECTIFIER SMA SERIES

### MECHANICAL DATA

Case	Terminals	Polarity	Mounting Position	Weight per piece
JEDEC SMAF molded plastic body	Solder plated, Solderable per MIL-STD-750, Method 2026	Color band denotes cathode end	Any	0.0020 Ounce, 0.0567 grams

### MAX. RATING & CHARACTERISTICS

Parameter	SYMBOLS	VALUE			UNITS
		Min.	Typical	Max.	
Repetitive peak reverse voltage	$V_{RRM}$			60	Volts
RMS voltage	$V_{RMS}$			42	Volts
DC blocking voltage	$V_{DC}$			60	Volts
Average forward output rectified current at TL(see fig.1)	$I_{AV}$			5.0	A
Peak forward surge current 8.3ms single half sine-wave superimposed on rated load (JEDEC Method)	$I_{FSM}$		125		A
Instantaneous forward voltage at 5.0A	$V_F$			0.70	Volts
DC reverse current at rated DC blocking voltage	$I_R$			0.50	mA
				20.0	mA
Junction capacitance (Note 2)	$C_J$		200		pF
Thermal resistance (Note 3)	$R_{QJA}$		50		°C/W
Operating junction temperature range	$T_J$	-50		+125	°C
Storage temperature range	$T_{STG}$	-50		+150	°C

Note

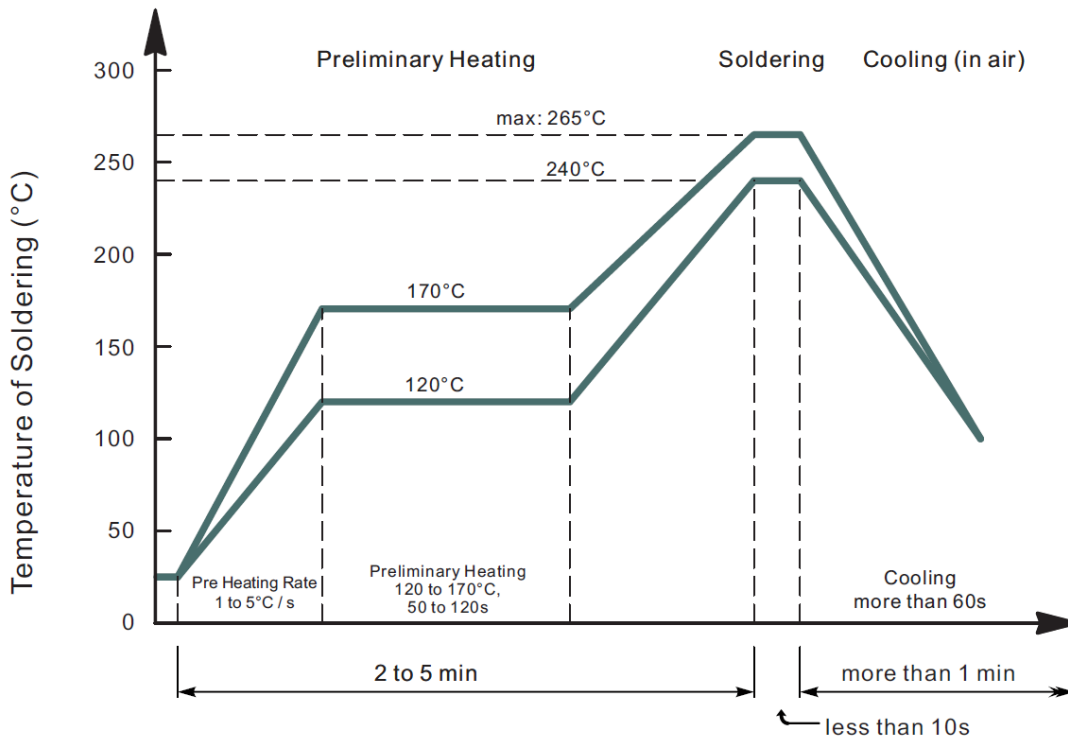
- Ratings at 25 C ambient temperature unless otherwise specified. Single phase half-wave 60Hz, resistive or inductive load, for capacitive load current derate by 20%.
- Measured at 1.0MHz and applied reverse voltage of 4.0Voltage
- P.C.B. mounted with 0.2x0.2"(5.0x5.0mm) copper pad areas.

**SMD SCHOTTKY BARRIER RECTIFIER SMA SERIES**
**RELIABILITY**

Number	Experiment Items	Experiment Method And Conditions	Reference Documents
1	Solder Resistance Test	Test 260°C± 5°C for 10 ± 2 sec. Immerse body into solder 1/16" ± 1/32"	MIL-STD-750D METHOD-2031.2
2	Solderability Test	230°C ±5°C for 5 sec.	MIL-STD-750D METHOD-2026.1 0
3	Pull Test	1 kg in axial lead direction for 10 sec.	MIL-STD-750D METHOD-2036.4
4	Bend Test	0.5Kg Weight Applied To Each Lead, Bending Arcs 90 °C ± 5 °C For 3 Times	MIL-STD-750D METHOD-2036.4
5	High Temperature Reverse Bias Test	TA=100°C for 1000 Hours at VR=80% Rated VR	MIL-STD-750D METHOD-1038.4
6	Forward Operation Life Test	TA=25°C Rated Average Rectified Current	MIL-STD-750D METHOD-1027.3
7	Intermittent Operation Life Test	On state: 5 min with rated IRMS Power Off state: 5 min with Cool Forced Air. On and off for 1000 cycles.	MIL-STD-750D METHOD-1036.3
8	Pressure Cooker Test	15 PSIG, TA=121°C, 4 hours	MIL-S-19500 APPENOIXC
9	Temperature Cycling Test	-55°C~+125°C; 30 Minutes For Dwelled Time 5 minutes for transferred time. Total: 10 cycles.	MIL-STD-750D METHOD-1051.7
10	Thermal Shock Test	0°C for 5 minutes., 100°C for 5minutes, Total: 10 cycles	MIL-STD-750D METHOD-1056.7
11	Forward Surge Test	8.3ms Single Sale Sine-wave One Surge.	MIL-STD-750D METHOD-4066.4
12	Humidity Test	TA=65°C, RH=98% for 1000 hours.	MIL-STD-750D METHOD-1021.3
13	High Temperature Storage life Test	150°C for 1000 Hours	MIL-STD-750D METHOD-1031.5

**SMD SCHOTTKY BARRIER RECTIFIER SMA SERIES**

**SUGGESTED REFLOW PROFILE (For Reference Only)**



- Recommended peak temperature is over 245°C, If peak temperature is below 245 °C, you may adjust the following parameters; time length of peak temperature (longer), time length of soldering (longer), thickness of solder paste (thicker)
- Welding shall not exceed 2 times
- Remark: lead free solder paste (96.5 sn/3.0 Ag/0.5Cu)

**SMD SCHOTTKY BARRIER RECTIFIER SMA SERIES**

**RATINGS AND CHARACTERISTIC CURVES (For Reference Only)**

Fig.1 Forward Current Derating Curve

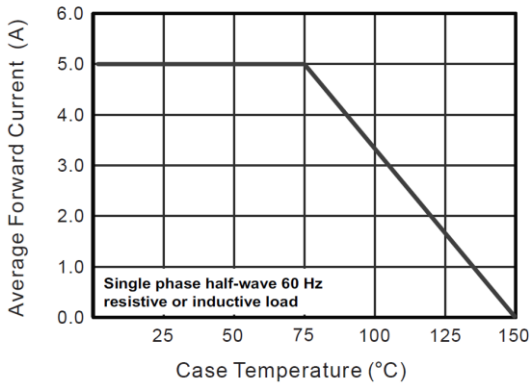


Fig.2 Typical Reverse Characteristics

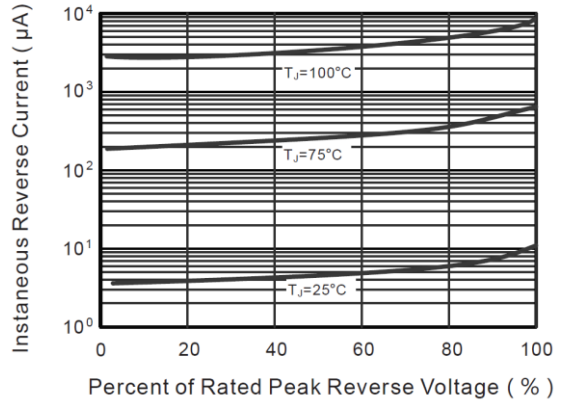


Fig.3 Typical Forward Characteristic

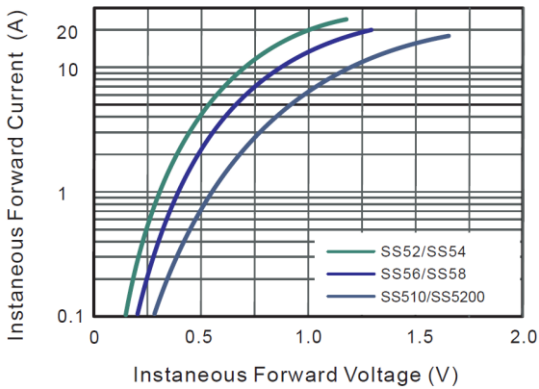


Fig.4 Typical Junction Capacitance

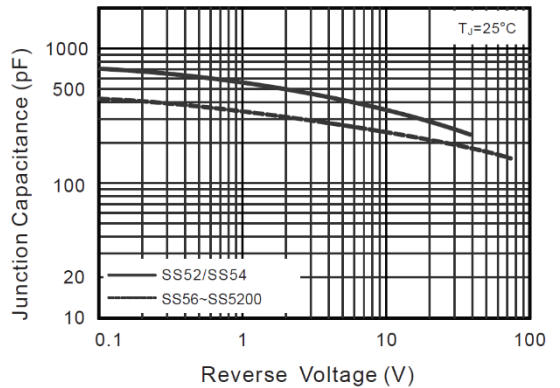


Fig.5 Maximum Non-Repetitive Peak Forward Surge Current

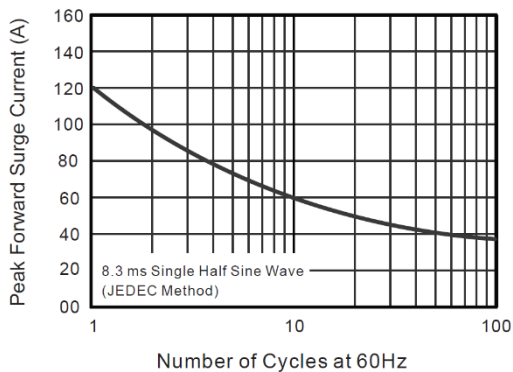
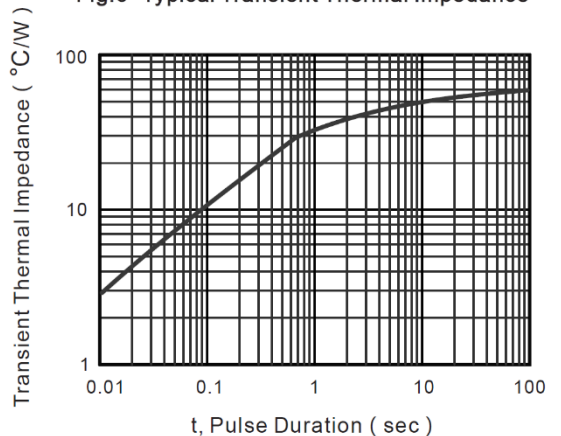


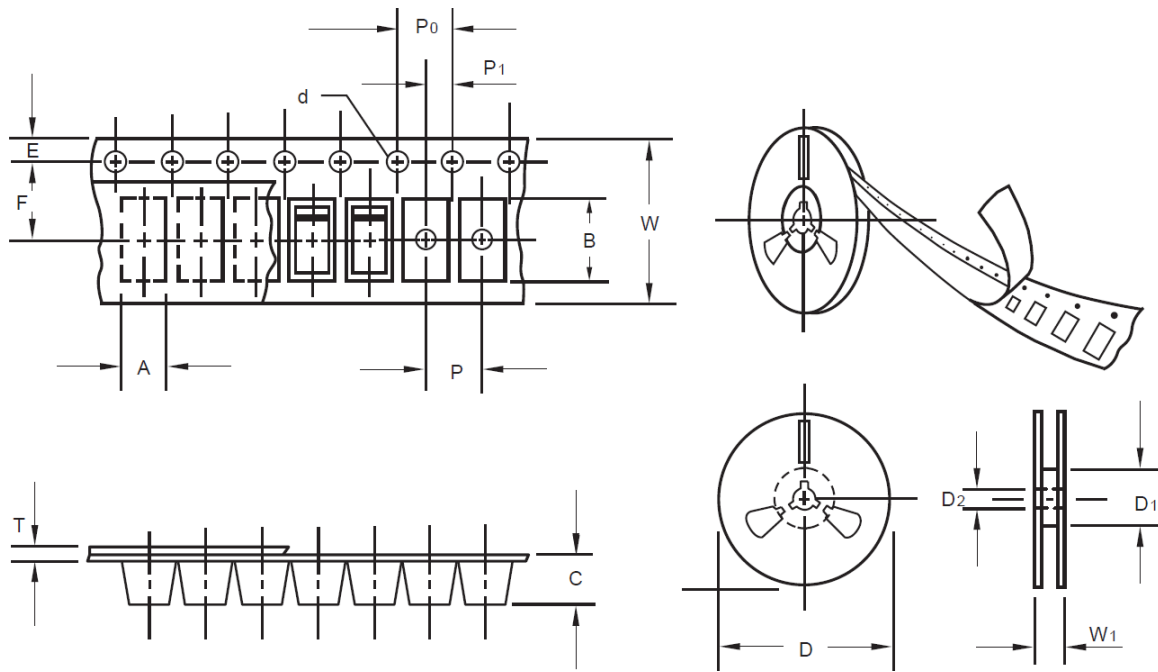
Fig.6- Typical Transient Thermal Impedance



**SMD SCHOTTKY BARRIER RECTIFIER SMA SERIES**

**TAPE/REEL (Unit: mm)**

All Devices are packed in accordance with EIA standard RS-481-A and specifications.



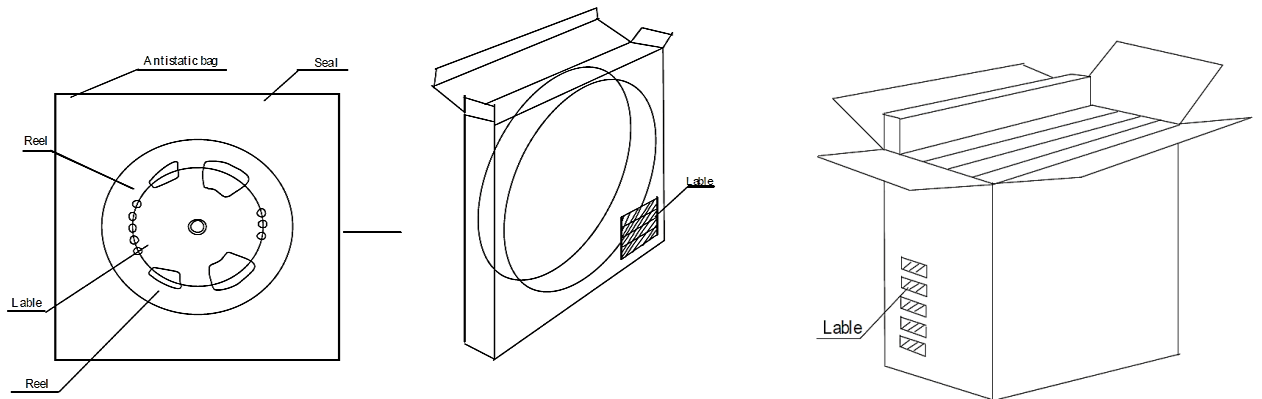
Item	Symbol	Tolerance	SMA/DO-214AC
Carrier width	A	0.1	2.8
Carrier Length	B	0.1	5.33
Carrier Depth	C	0.1	2.36
Sprocket hole	d	0.05	1.50
13" Reel outside diameter	D	-	-
13" Reel inner diameter	D1	-	-
7" Reel outside diameter	D	2.0	178.00
7" Reel inner diameter	D1	Min.	62.00
Feed hole diameter	D2	0.5	13.00
Sprocket hole position	E	0.1	1.75
Punch hole position	F	0.1	5.50
Punch hole pitch	P	0.1	4.00
Sprocket hole pitch	P0	0.1	4.00
Embossment center	P1	0.1	2.0
Overall tape thickness	T	0.1	0.28
Tape width	W	0.3	12.00
Reel width	W1	1.0	18.0



**SMD SCHOTTKY BARRIER RECTIFIER SMA SERIES**

**PACKAGE**

Case Code	Reel Size	MPQ (pcs)	Component Spacing (mm)	Qty. Per Box (pcs)	Inner Box L*W*H (mm)	Reel Size (mm)	Carton size L*W*H (mm)	Qty. Per Carton (pcs)	G. W (kg)
SMAF	7"	2,000		4,000	183*155*183	178	370*370*380	80,000	11.0



**DISCLAIMER**

NextGen Component, Inc. reserves the right to make changes to the product(s) and or information contained herein without notice. No liability is assumed as a result of their use or application. No rights under any patent accompany the sale of any such product(s) or information